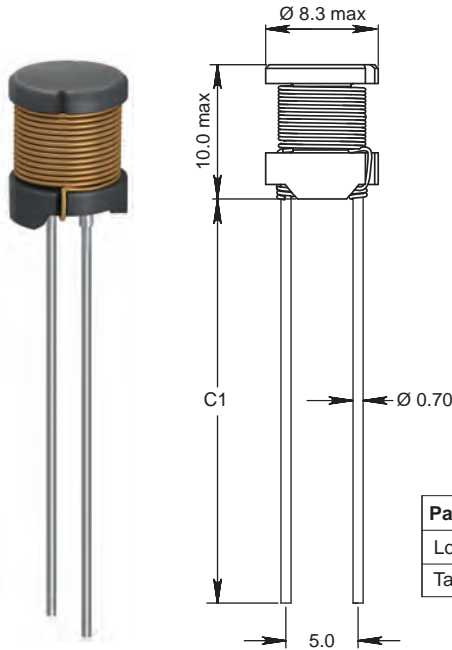
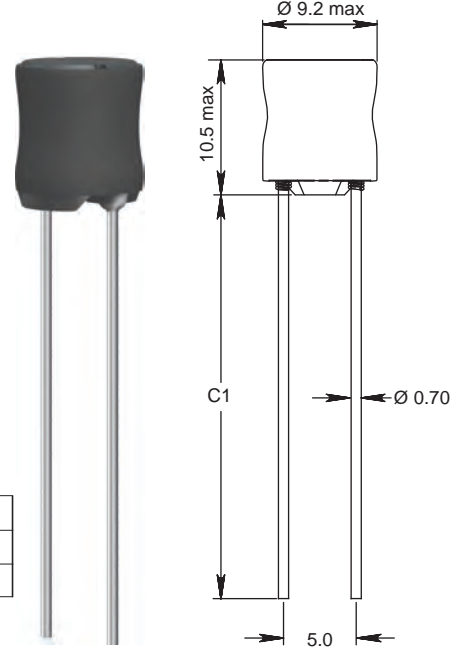


07 HCP, 07 HCP/T

For High Currents

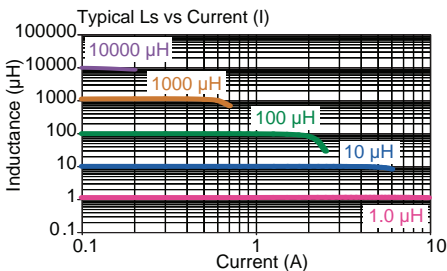
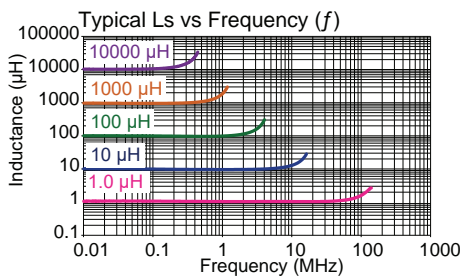
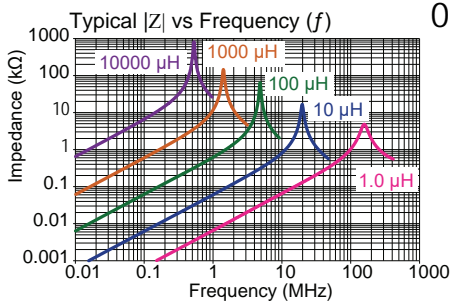


07 HCP



07 HCP/T
(With Tube)

Packaging	C1
Loose / Box [-50]	13.0
Taped / Reel [-51]	26.0



Core Material: Ferrite

SPQ:

Packaging Form	Loose / Box	Taped / Reel
Radial	500 [-50]	500 [-51]

Remarks:

- Also available with shorter leads.
- All 07HCP, 07HCP/T are specified for 150°C except the models with *, which are specified for 125°C.

Part No	Inductance L (μ H)	f_L (kHz)	ToI. \pm (%)	DCR max (Ω)	Rated DC Current (A)	
					I_{max}	$I_{sat typ}$
* 07HCP-1R0M-YY	1.0	1 @ 0.25 V	20	0.010	7.50	10.0
* 07HCP-2R2M-YY	2.2	1 @ 0.25 V	20	0.010	6.00	8.00
* 07HCP-3R3M-YY	3.3	1 @ 0.25 V	20	0.013	5.00	6.30
07HCP-4R7M-YY	4.7	1 @ 0.25 V	20	0.018	4.00	5.40
* 07HCP-6R8M-YY	6.8	1 @ 0.25 V	20	0.025	3.80	6.50
* 07HCP-7R5M-YY	7.5	1 @ 0.25 V	20	0.030	3.00	5.00
07HCP-100M-YY	10	1 @ 0.25 V	20	0.040	2.60	5.00
07HCP-220X-YY	22	1 @ 0.25 V	10,20	0.055	2.30	3.60
07HCP-330X-YY	33	1 @ 0.25 V	10,20	0.10	1.50	2.50
07HCP-470X-YY	47	1 @ 0.25 V	10,20	0.10	1.30	2.50
07HCP-680X-YY	68	1 @ 0.25 V	10,20	0.14	1.10	2.10
07HCP-820X-YY	82	1 @ 0.25 V	10,20	0.16	1.00	1.90
07HCP-101X-YY	100	1 @ 0.25 V	10,20	0.20	0.90	1.60
07HCP-121X-YY	120	1 @ 0.25 V	10,20	0.22	0.85	1.20
07HCP-151X-YY	150	1 @ 0.25 V	10,20	0.36	0.85	1.20
07HCP-221X-YY	220	1 @ 0.25 V	10,20	0.38	0.64	1.20
07HCP-271X-YY	270	1 @ 0.25 V	10,20	0.70	0.64	0.95
07HCP-331X-YY	330	1 @ 0.25 V	10,20	0.70	0.51	0.95
07HCP-391X-YY	390	1 @ 0.25 V	10,20	0.89	0.50	0.80
07HCP-471X-YY	470	1 @ 0.25 V	10,20	0.89	0.43	0.80
07HCP-681X-YY	680	1 @ 0.25 V	10,20	1.43	0.43	0.70
07HCP-821X-YY	820	1 @ 0.25 V	10,20	1.56	0.36	0.70
07HCP-102X-YY	1000	1 @ 0.25 V	10,20	1.95	0.30	0.50
07HCP-122X-YY	1200	1 @ 0.25 V	10,20	2.90	0.30	0.39
07HCP-152X-YY	1500	1 @ 0.25 V	10,20	3.30	0.30	0.30
07HCP-182X-YY	1800	1 @ 0.25 V	10,20	3.30	0.21	0.35
07HCP-222X-YY	2200	1 @ 0.25 V	10,20	5.30	0.19	0.25
07HCP-272X-YY	2700	1 @ 0.25 V	10,20	6.80	0.24	0.17
07HCP-332X-YY	3300	1 @ 0.25 V	10,20	9.30	0.14	0.22
07HCP-402X-YY	4000	1 @ 0.25 V	10,20	10.30	0.14	0.22
07HCP-472X-YY	4700	1 @ 0.25 V	10,20	16.50	0.14	0.17
07HCP-103X-YY	10000	1 @ 0.25 V	10,20	24.00	0.14	0.17

Pluggable Inductors (Pin Type Coils)